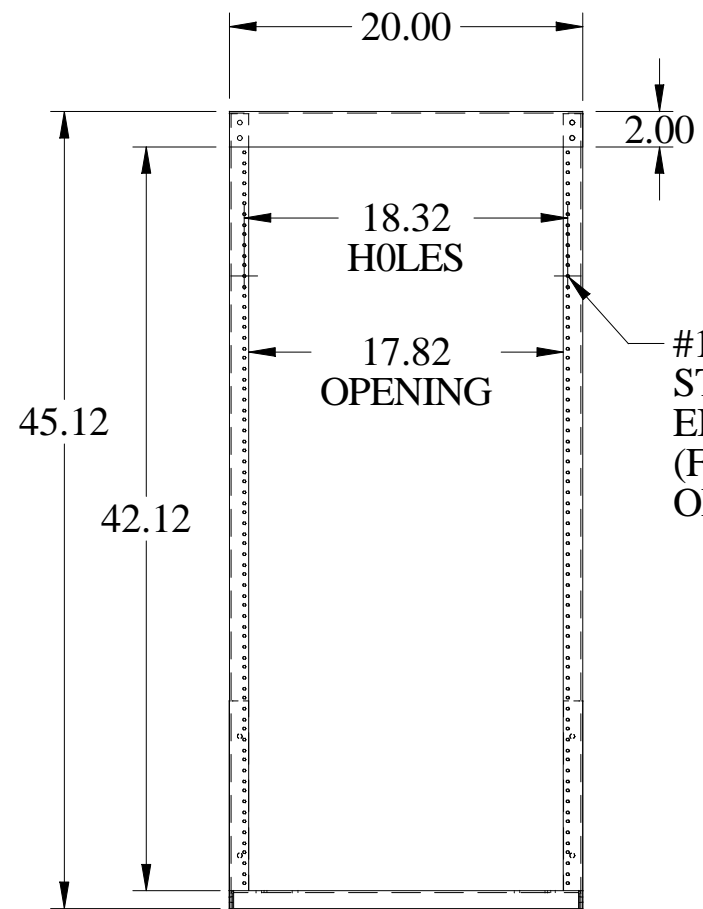
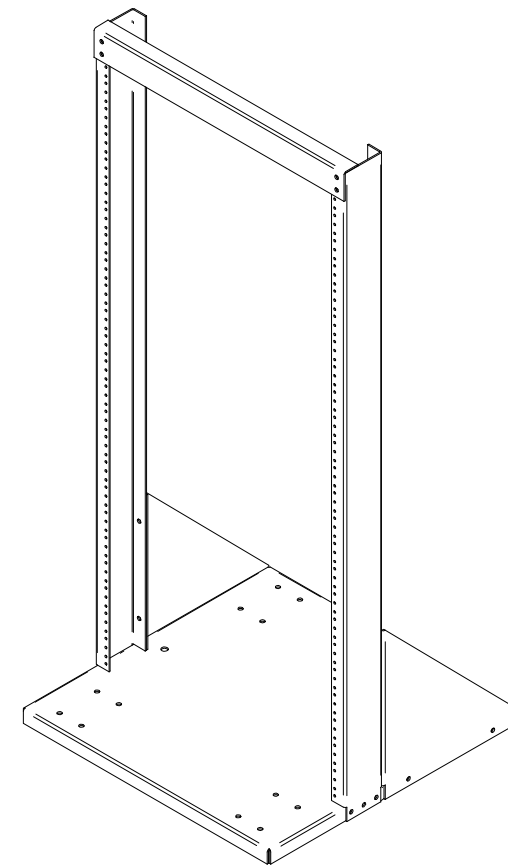
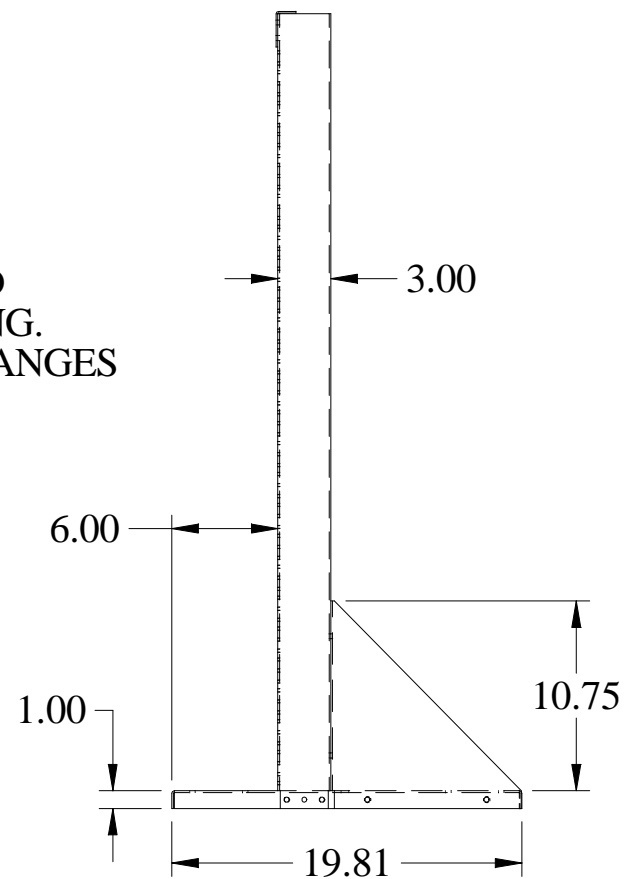


PART No. DNRR1942LDK
 for more information visit
www.hammondmfg.com
 Data subject to change without notice
 Isometric drawing Not to Scale



FRONT VIEW

#10-32 UNF
 STANDARD
 EIA SPACING.
 (FRONT FLANGES
 ONLY)



SIDE VIEW